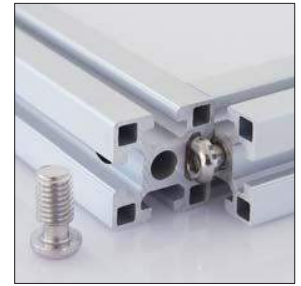


Connecting Elements

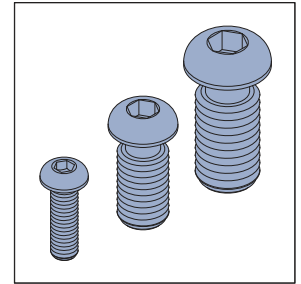
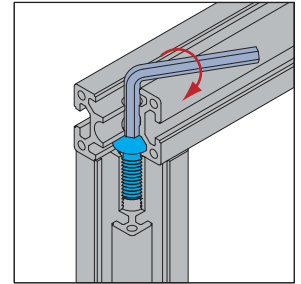
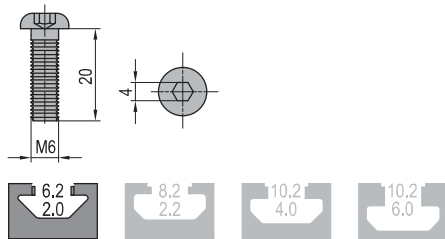


A simple and economic way to replace end connector with more connection reliability.

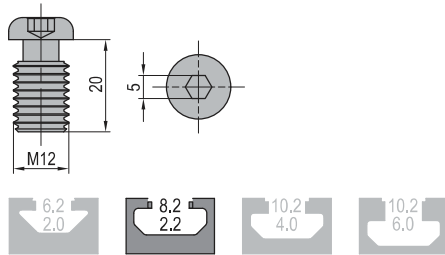
Material: nickel plated steel



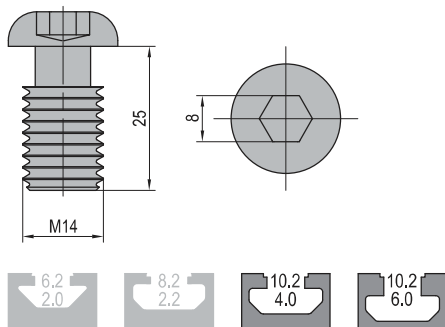
Screw Connector-6



Screw Connector-8



Screw Connector-10



Description	Mass (g)	Part No.
Screw Connector-6	7	3.81.06
Screw Connector-8	17	3.81.08
Screw Connector-10	31	3.81.10

